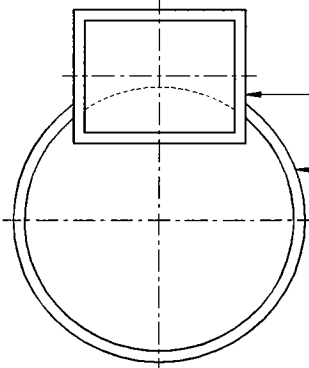


Fiberglass valve vault enclosures by TOPP Industries are designed to isolate valves, controls, and service personnel from the wet well sewage chamber. Fiberglass valve vault enclosures are available as individual units; attached to a wet well to create an integrated unit; or as a pre-fabricated lift station complete with piping, valves, accessories and guide rail system.

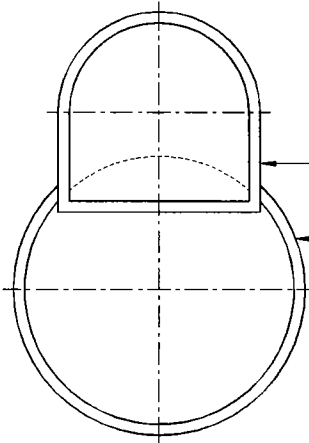
WET WELL WITH RECTANGULAR VALVE VAULT



Valve Vault: 30"x40"x36" deep  
 Wet Well: 36",42",48",60" or 72" inside diameter up to 300" deep

Designed for 1 1/4", 1 1/2", 2" and 3" piping systems. Lightest and most cost effective wet well/valve vault configuration.

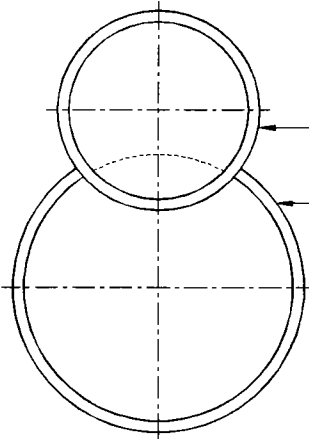
WET WELL WITH STANDARD 48" FLAT WALL VALVE VAULT



Valve Vault: 48" diameter x 48" flat wall x 48", 60" or 72" deep  
 Wet well: 36",42",48",60" or 72" inside diameter up to 300" deep

Designed for 3" and 4" piping systems. Flat wall allows for the wide spread of duplex piping systems.

WET WELL WITH CYLINDRICAL VALVE VAULT



Valve Vault: 36", 42", 48", 60" or 72" inside diameter up to 300" deep  
 Wet well: 36",42",48",60" or 72" inside diameter up to 300" deep

Designed for any piping system requiring deep discharge levels. Bottom portion can be opened for greater wet well capacity.

**NOTE:**

One piece steel or aluminum hinged and lockable covers are available to accommodate each style.



DESCRIPTION: <b>VALVE VAULT OPTIONS</b>		
REFERENCE		
		10117
DRAWN BY: X. J. X.	CHECKED BY	SUPERSEDES PRINTS PRIOR TO: 9-12-94
DATE 9-12-94	REV 0	NO. <b>6-110</b>
SCALE: NONE	DISK:	