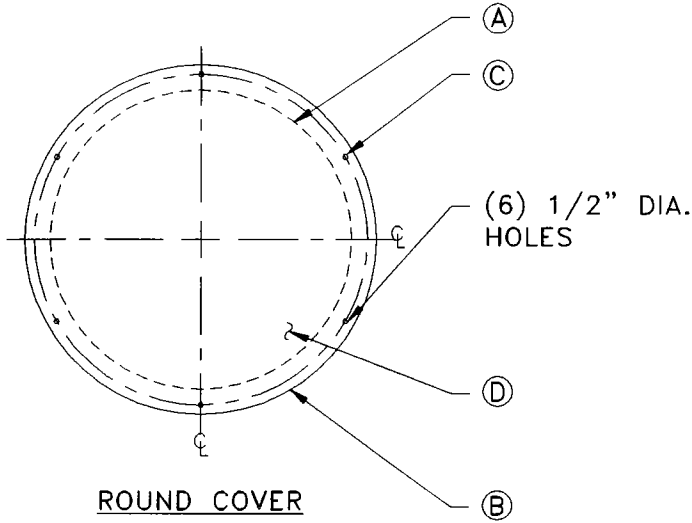


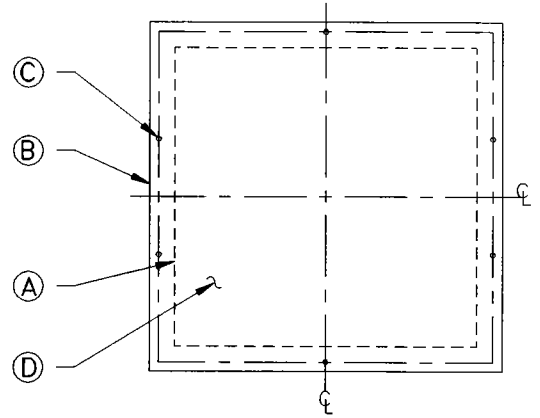
NO. **6-200**

# SOLID STEEL BASIN COVER

STAINLESS STEEL HARDWARE STANDARD  
GASKET TAPE PROVIDED



**ROUND COVER**



**SQUARE COVER**

PART NO.	STYLE	(A) BASIN INSIDE DIM.	(B) OUTSIDE DIM.	(C) BOLT CIRCLE	(D) MATERIAL THICKNESS
C24WS	ROUND SQUARE	24 24x24	28 28x28	26.5 26.5x26.5	.25 .25
C30WS	ROUND SQUARE	30 30x30	34 34x34	32.5 32.5x32.5	.25 .25
C36WS	ROUND SQUARE	36 36x36	40 40x40	38.5 38.5x38.5	.25 .25
C42WS	ROUND SQUARE	42 42x42	46 46x46	44.5 44.5x44.5	.25 .25
C48WS	ROUND SQUARE	48 48x48	54 54x54	51.0 51.0x51.0	.25 .25
C60WS	ROUND SQUARE	60 60x60	66 66x66	63.0 63.0x63.0	.375 .375
C72WS	ROUND SQUARE	72 72x72	78 78x78	75.0 75.0x75.0	.375 .375

ALL DIMENSIONS IN INCHES



DESCRIPTION: <b>SOLID STEEL COVER</b>		
REFERENCE		
		10087
DRAWN BY: K. J. H.	CHECKED BY:	SUPERSEDES PRINTS PRIOR TO 10/17/94
DATE: 10/17/94	REV. 0	NO.: <b>6-200</b>
SCALE: NONE	DISK	