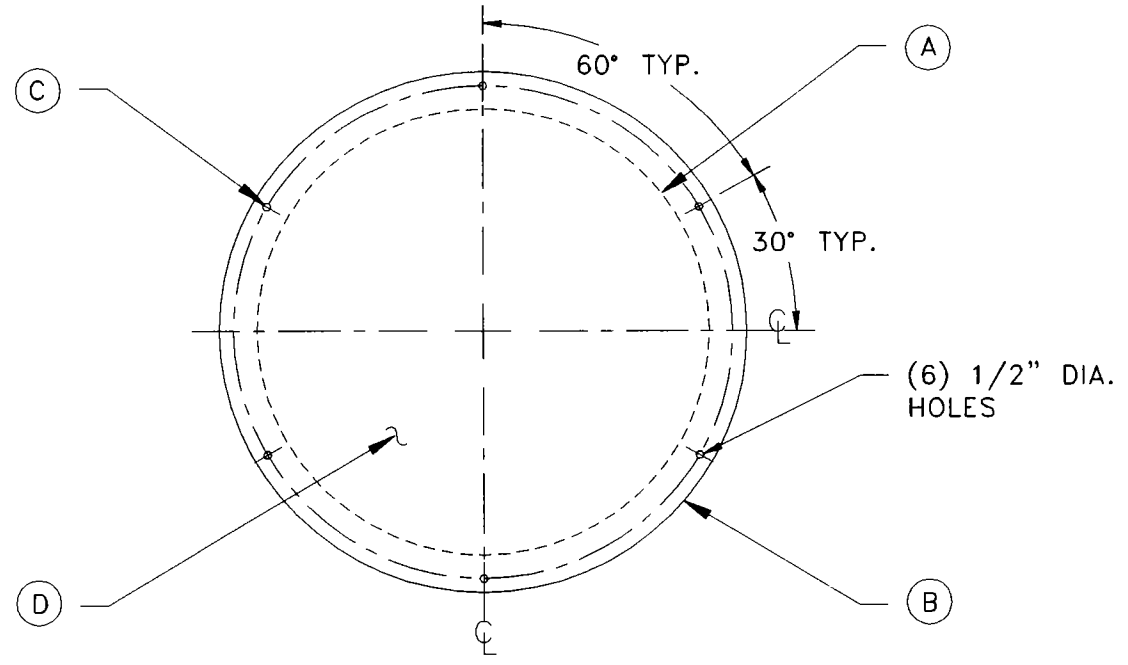


NO.: 6-190

SOLID FIBERGLASS BASIN COVER

STAINLESS STEEL HARDWARE STANDARD
GASKET TAPE PROVIDED



PART NO.	STYLE	Ⓐ BASIN INSIDE DIA.	Ⓑ OUTSIDE DIA.	Ⓒ BOLT CIRCLE	Ⓓ MATERIAL THICKNESS
C24WF	ROUND	24	28	26.5	.25
C30WF	ROUND	30	34	32.5	.375
C36WF	ROUND	36	40	38.5	.375
C42WF	ROUND	42	46	44.5	.50
C48WF	ROUND	48	54	51.0	.50
C60WF	ROUND	60	66	63.0	.75
C72WF	ROUND	72	78	75.0	1.00

ALL DIMENSIONS IN INCHES



DESCRIPTION SOLID FIBERGLASS COVER		
REFERENCE		
		10081
DRAWN BY K.J.K.	CHECKED BY	SUPERSEDES PRINTS PRIOR TO: 10/17/94
DATE: 10/17/94	REV. 0	NO.: 6-190
SCALE NONE	DISK	