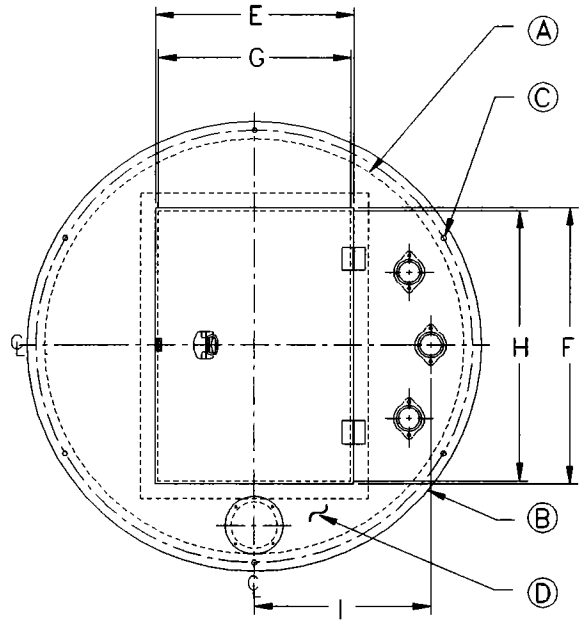


SINGLE HATCH STEEL BASIN COVER

STAINLESS STEEL HARDWARE STANDARD
GASKET TAPE PROVIDED



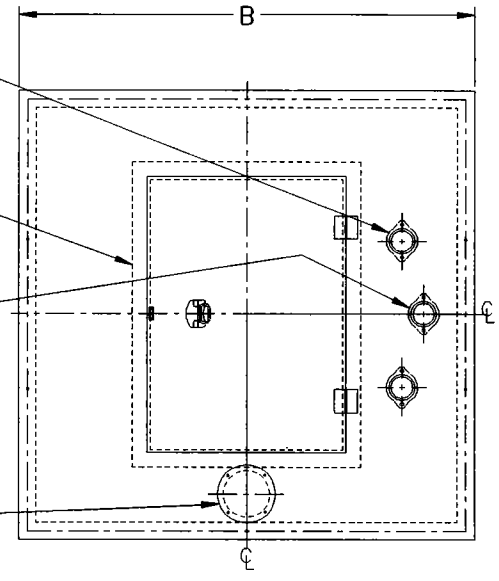
ROUND COVER
HINGED AND LOCKABLE

DISCHARGE (OPTIONAL)
SPECIFY SIZE:
1.25" 1.5" 2"
3" OR 4"

STEEL ANGLE

VENT (OPTIONAL)
SPECIFY SIZE:
1.25" 1.5" 2"
3" OR 4"
SPECIFY TYPE:
BOLT-DOWN FLANGE
OR GROMMET

10" INSPECTION
PLATE w/ 8"
DIA. CLEAR
ACCESS OPENING
(OPTIONAL)



SQUARE COVER
HINGED AND LOCKABLE

PART NO.	STYLE	(A) BASIN INSIDE DIM.	(B) OUTSIDE DIM.	(C) BOLT CIRCLE	(D) THICKNESS	(E) HATCH DOOR WIDTH	(F) HATCH DOOR LENGTH	(G) CLEAR ACCESS WIDTH	(H) CLEAR ACCESS LENGTH	(I) DISTANCE
C24HSS	ROUND SQUARE	24 24x24	28 28x28	26.5 26.5x26.5	.25 .25	13 13	17 17	12 12	16 16	N/A N/A
C30HSS	ROUND SQUARE	30 30x30	34 34x34	32.5 32.5x32.5	.25 .25	17 17	23 23	16 16	22 22	13 13
C36HSS	ROUND SQUARE	36 36x36	40 40x40	38.5 38.5x38.5	.25 .25	21 21	25 25	20 20	24 24	16 16
C42HSS	ROUND SQUARE	42 42x42	46 46x46	44.5 44.5x44.5	.25 .25	23 23	33 33	22 22	32 32	19 19
C48HSS	ROUND SQUARE	48 48x48	54 54x54	51.0 51.0x51.0	.25 .25	25 25	37 37	24 24	36 36	21 21
C60HSS	ROUND SQUARE	60 60x60	66 66x66	63.0 63.0x63.0	.375 .375	30 30	40 40	29 29	39 39	28 28
C72HSS	ROUND SQUARE	72 72x72	78 78x78	75.0 75.0x75.0	.375 .375	35 35	49 49	34 34	48 48	28 28

ALL DIMENSIONS IN INCHES
N/A= NOT APPLICABLE



DESCRIPTION:
SINGLE HATCH COVER

REFERENCE

10084

DRAWN BY: X.J.X. CHECKED BY: SUPERSEDES PRINTS PRIOR TO: 10/17/94

DATE: 10/17/94 REV.: 0 NO. **6-230**

SCALE: NONE DISK