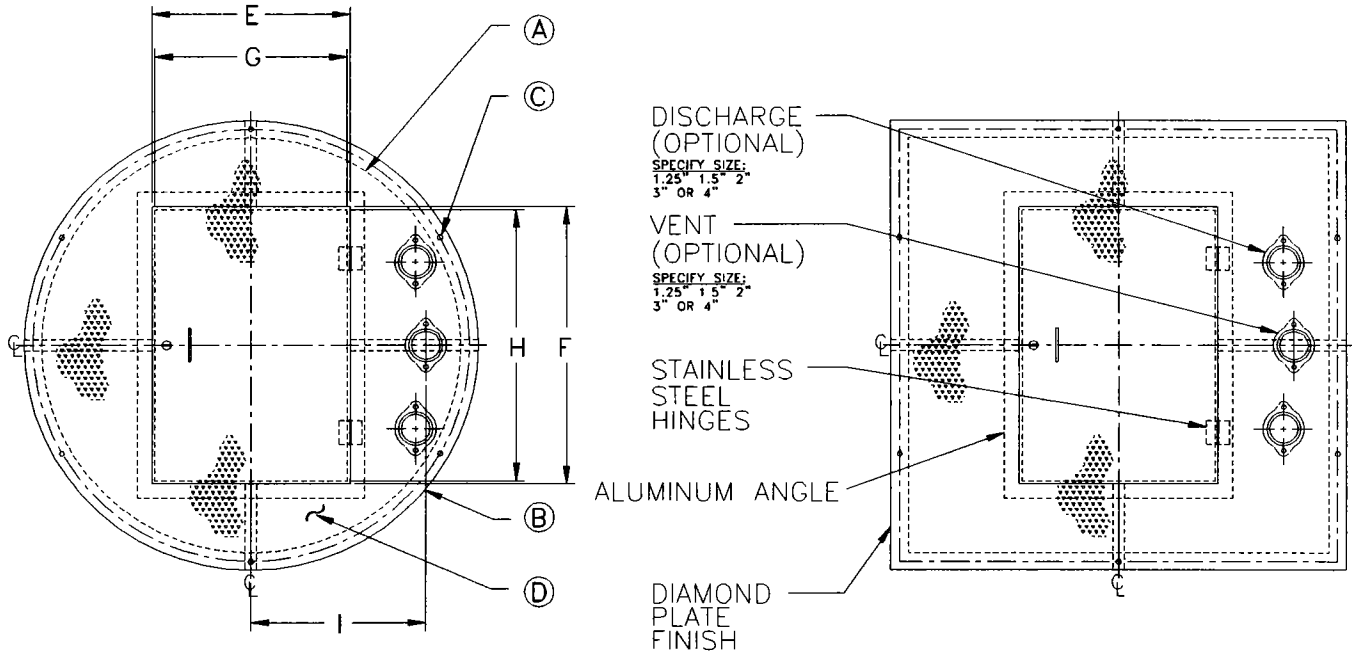


SINGLE HATCH ALUMINUM BASIN COVER

STAINLESS STEEL HARDWARE STANDARD
GASKET TAPE PROVIDED



ROUND COVER
HINGED AND LOCKABLE

SQUARE COVER
HINGED AND LOCKABLE

| PART NO. | STYLE | (A) BASIN INSIDE DIM. | (B) OUTSIDE DIM. | (C) BOLT CIRCLE | (D) THICKNESS | (E) HATCH DOOR WIDTH | (F) HATCH DOOR LENGTH | (G) CLEAR ACCESS WIDTH | (H) CLEAR ACCESS LENGTH | (I) DISTANCE |
|----------|-----------------|-----------------------|------------------|-------------------|---------------|----------------------|-----------------------|------------------------|-------------------------|--------------|
| C36HSA | ROUND SQUARE | 36 36x36 | 40 40x40 | 38.5 38.5x38.5 | .25 .25 | 21 21 | 25 25 | 20 20 | 24 24 | N/A N/A |
| C42HSA | ROUND SQUARE | 42 42x42 | 46 46x46 | 44.5 44.5x44.5 | .25 .25 | 23 23 | 33 33 | 22 22 | 32 32 | 13 13 |
| C48HSA | ROUND SQUARE | 48 48x48 | 54 54x54 | 51.0 51.0x51.0 | .25 .25 | 25 25 | 37 37 | 24 24 | 36 36 | 20 20 |
| C60HSA | ROUND SQUARE | 60 60x60 | 66 66x66 | 63.0 63.0x63.0 | .25 .25 | 30 30 | 40 40 | 29 29 | 39 39 | 27 27 |
| C72HSA | ROUND SQUARE | 72 72x72 | 78 78x78 | 75.0 75.0x75.0 | .25 .25 | 35 35 | 49 49 | 34 34 | 48 48 | 21 21 |

ALL DIMENSIONS IN INCHES
N/A= NOT APPLICABLE



DESCRIPTION:
SINGLE HATCH COVER

REFERENCE:

10086

| | | |
|----------------------|------------|--|
| DRAWN BY X. J. X. | CHECKED BY | SUPERSEDES PRINTS PRIOR TO 10/17/94 |
| DATE: 10/17/94 | REV.: 0 | NO. 6-260 |
| SCALE: NONE | DISK | |