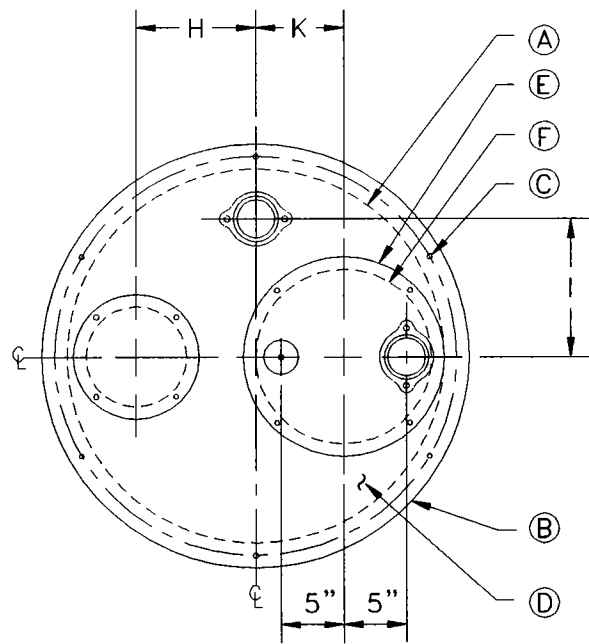
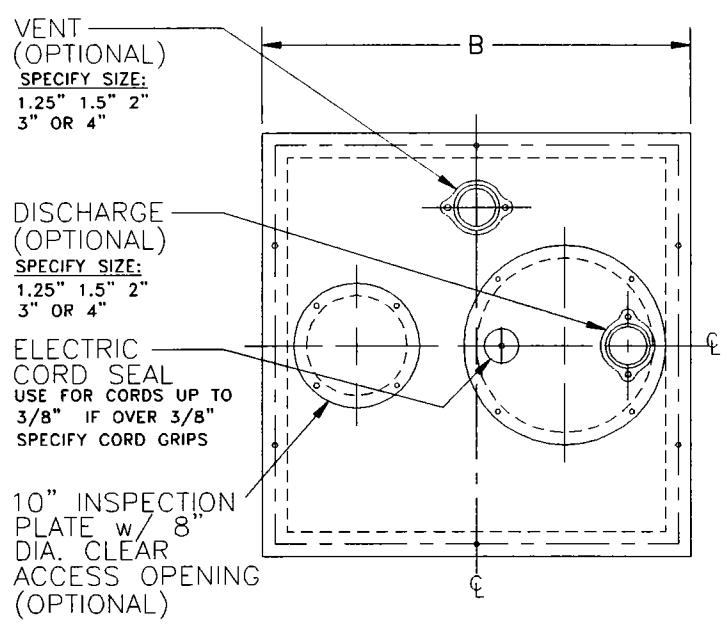


SIMPLEX STEEL BASIN COVER

STAINLESS STEEL HARDWARE STANDARD
GASKET TAPE PROVIDED



ROUND COVER



SQUARE COVER

PART NO.	STYLE	(A) BASIN INSIDE DIM.	(B) OUTSIDE DIM.	(C) BOLT CIRCLE	(D) THICKNESS	(E) ACCESS PLATE DIM.	(F) CLEAR ACCESS DIM.	(G) DISTANCE	(H) DISTANCE	(I) DISTANCE	(K) DISTANCE
C24SSA	ROUND SQUARE	24 24x24	28 28x28	26.5 26.5x26.5	.25 .25	16 16	14 14	N/A N/A	7.75 7.75	10 10	5.50 5.50
C30SSA	ROUND SQUARE	30 30x30	34 34x34	32.5 32.5x32.5	.25 .25	18 18	16 16	N/A N/A	9.50 9.50	11 11	7.00 7.00
C36SSA	ROUND SQUARE	36 36x36	40 40x40	38.5 38.5x38.5	.25 .25	18 18	16 16	N/A N/A	13.00 13.00	14 14	7.00 7.00
C42SSA	ROUND SQUARE	42 42x42	46 46x46	44.5 44.5x44.5	.25 .25	22 22	20 20	N/A N/A	14.00 14.00	14 14	10.00 10.00
C48SSA	ROUND SQUARE	48 48x48	54 54x54	51.0 51.0x51.0	.25 .25	22 22	20 20	N/A N/A	18.00 18.00	20 20	9.00 9.00
C60SSA	ROUND SQUARE	60 60x60	66 66x66	63.0 63.0x63.0	.375 .375	28 28	26 26	N/A N/A	15.50 15.50	25 25	15.50 15.50
C72SSA	ROUND SQUARE	72 72x72	78 78x78	75.0 75.0x75.0	.375 .375	28 28	26 26	N/A N/A	15.50 15.50	30 30	15.50 15.50

ALL DIMENSIONS IN INCHES
N/A= NOT APPLICABLE



DESCRIPTION:
SIMPLEX STEEL COVER

REFERENCE:
10083

DRAWN BY: X J Z. CHECKED BY: SUPERSEDES PRINTS PRIOR TO 10/17/94

DATE 10/17/94 REV 0 NO 6-210

SCALE: NONE DISK: