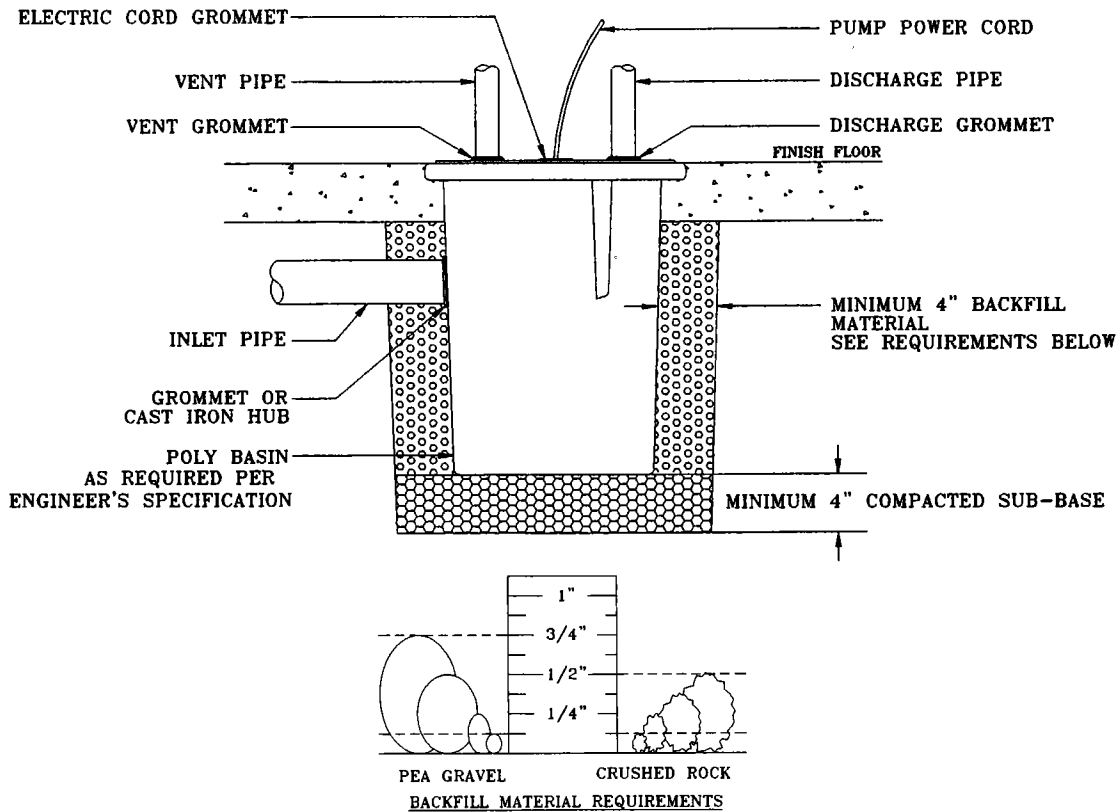




POLYETHYLENE BASIN & COVER ASSEMBLY AND INSTALLATION REFERENCE GUIDE



1. Remove the backing from gasket material on the inside of the bolt circle going around the circumference of the poly basin flange.
2. Place the vent grommet seal above the vent hole in the cover and push the grommet through the hole until the outer grommet has sealed against the top of the cover.
3. Place the discharge grommet seal above the discharge hole in the cover and push the grommet through the hole until the outer grommet has sealed against the top of the cover.
4. Bring the power and/or the float cords through the ECG hole in the cover.
5. File the discharge pipe at 45 degrees approximately, lubricate pipe with a solution of water and soap and slide the cover over the discharge pipe.
6. Bolt the cover to the poly basin flange with the bolts and washers provided in the gasket pack.
7. File the bent pipe end at 45 degrees approximately, lubricate the vent pipe with a solution of water and soap and slide the vent pipe through the grommet.
8. Install the ECG grommet seal around the power and float cords and place the ECG grommet seal above the ECG hole in the cover and push the grommet through the hole until outer grommet has sealed against the top of the cover.
9. Inlet grommet optional.

NOTE: The intent of these installation instructions and illustrations is to ensure that damage or premature failure to the basin will not occur. These installation instructions and illustrations are NOT intended to preclude normal safety procedures which should be followed to prevent injury to personnel. SAFE INSTALLATION PROCEDURES SHALL BE ENTIRELY THE RESPONSIBILITY OF THE INSTALLER.