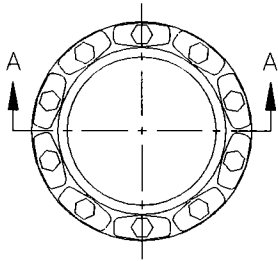
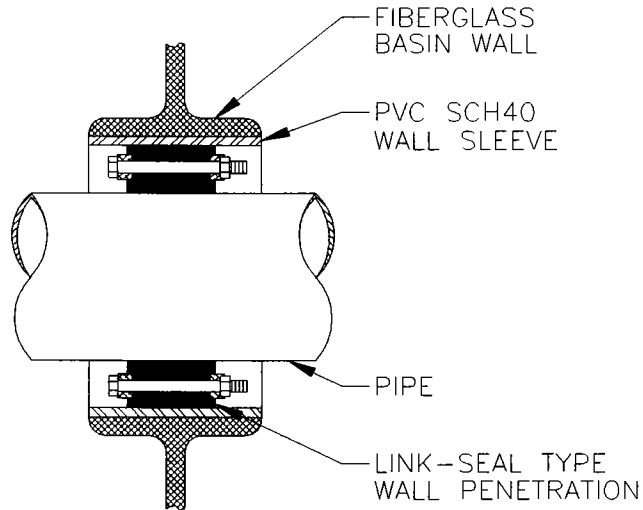


LINKSEAL

LINKSEAL IS RATED AT 20 PSIG (40 FEET OF HEAD), WHICH EXCEEDS THE PERFORMANCE REQUIREMENTS OF MOST APPLICATIONS.



FRONT VIEW



SECTION A-A

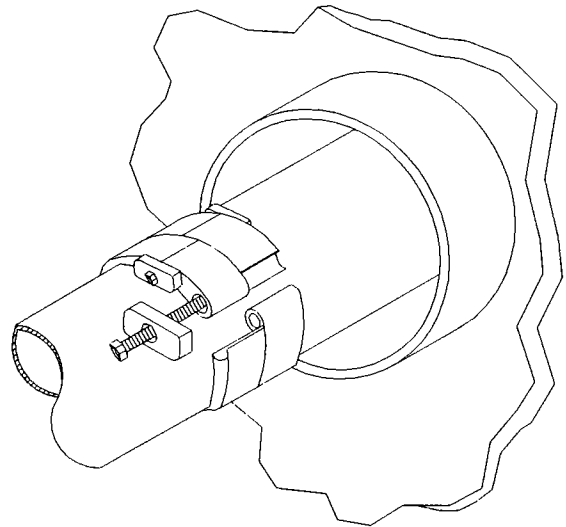
STANDARD DIAMETER SCH40 STEEL PIPE

NOMINAL PIPE SIZE	ACTUAL PIPE SIZE	SCH 40 SLEEVE	LINKSEAL MODEL NO	NO OF LINKS PER SEAL
1/2	840	2	LS-200-C	4
3/4	1.050	2	LS-200-C	4
1	1.315	2 1/2	LS-200-C	5
1 1/4	1.660	3 1/2	LS-300-C	5
1 1/2	1.900	3	LS-200-C	7
2	2.375	4	LS-300-C	6
2 1/2	2.875	4	LS-200-C	9
3	3.500	5	LS-300-C	8
4	4.500	6	LS-300-C	10
5	5.563	8	LS-425-C	6
6	6.625	10	LS-475-C	10
8	8.625	12	LS-475-C	12
10	10.750	14	LS-425-C	10
12	12.750	16	LS-425-C	12
14	14.000	18	LS-400-C	13
16	16.000	20	LS-400-C	15
18	18.000	22	LS-400-C	17
20	20.000	24	LS-400-C	18

ALL DIMENSIONS IN INCHES

STANDARD DIAMETER DUCTILE IRON PIPE

NOMINAL PIPE SIZE	ACTUAL PIPE SIZE	SCH 40 SLEEVE	LINKSEAL MODEL NO	NO OF LINKS PER SEAL
2	2.500	4	LS-300-C	6
2 1/4	2.750	5	LS-325-C	4
3	3.960	6	LS-325-C	5
4	4.800	8	LS-400-C	5
6	6.900	10	LS-400-C	7
8	9.050	12	LS-400-C	9
10	11.100	14	LS-400-C	11
12	13.200	16	LS-400-C	12
14	15.300	18	LS-325-C	16
16	17.400	22	LS-400-C	16
18	19.500	24	LS-400-C	18
20	21.600	25	LS-400-C	20



INSTALLATION INSTRUCTIONS.

1. WRAP THE LINKSEAL AROUND THE PIPE, THEN CONNECT THE FIRST AND LAST LINKS.
2. SLIDE THE LOOSE LINKSEAL INTO THE SPACE BETWEEN THE PIPE AND WALL
3. TIGHTEN THE BOLTS AROUND THE LINKSEAL ONE AT A TIME. THIS WILL CREATE A GAS AND WATER TIGHT SEAL.



DESCRIPTION			LINKSEAL		
REFERENCE			10093		
DRAWN BY	CHECKED BY	SUPERSEDES PRINTS			
X. J. H.		PRIOR TO 9-12-94			
DATE	REV	NO.			
9-12-94	0	6-170			
SCALE	DISK				
NONE					