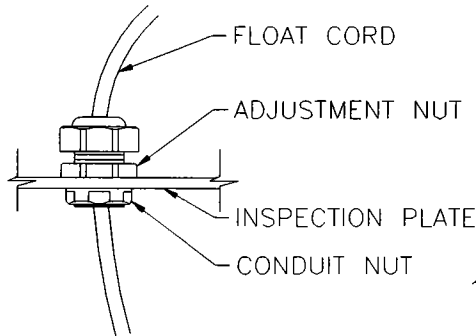


# INSPECTION AND FLOAT CONTROL PLATES

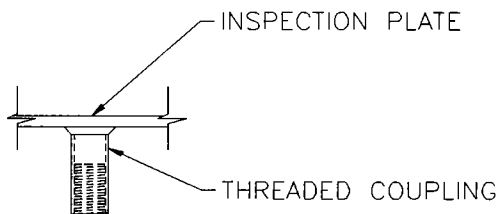
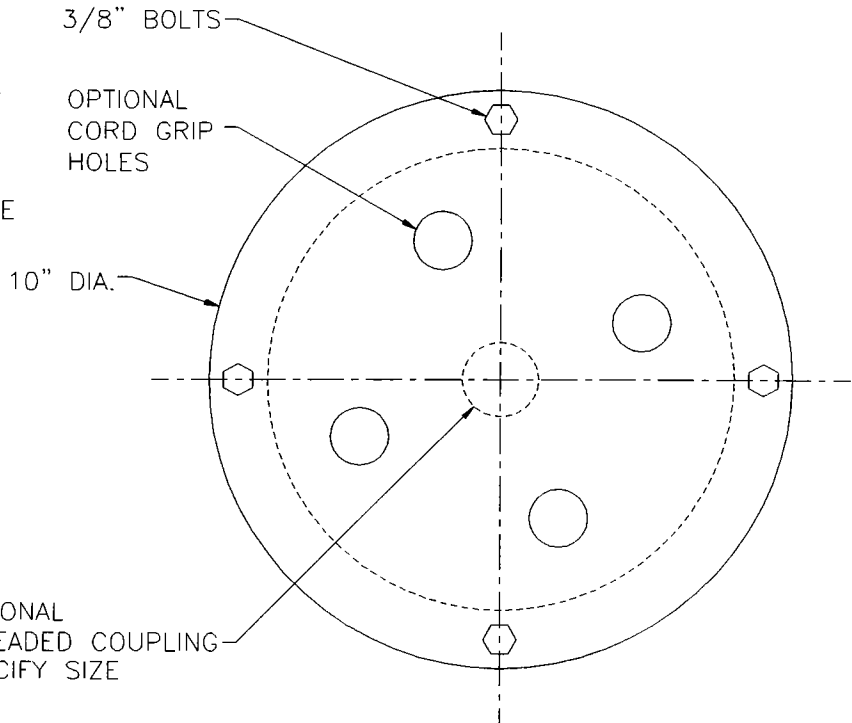
FLOAT CONTROL PLATES ARE DESIGNED TO BE USED ON STEEL COVERS AND UTILIZE THE 8" ACCESS HOLE. CORD LEVELS ARE SET WITH THE CORD GRIPS. CORDS CAN BE FASTENED TO THE OPTIONAL GALVANIZED OR FIBERGLASS FLOAT POLE. INSPECTION PLATES CAN BE ORDERED WITH

1, 2, 3 OR 4 CORD LEVEL GRIPS AND AN OPTIONAL THREADED FLOAT POLE COUPLING.



OPTIONAL CORD LEVEL GRIP DETAIL

PART NO.	SEALS NPT	CORDS FROM:
GRIP050	1/2"	.236- .422
GRIP075	3/4"	.511- .708
GRIP100	1"	.709-1.024



THREADED COUPLING DETAIL FOR OPTIONAL THREADED FLOAT POLE

PART NO.	INSPECTION PLATE WITH:
IN00-	BLANK INSPECTION PLATE
IN01-	ONE CORD LEVEL GRIP
IN02-	TWO CORD LEVEL GRIPS
IN03-	THREE CORD LEVEL GRIPS
IN04-	FOUR CORD LEVEL GRIPS

NOTE: SPECIFY NUMBER OF CORD GRIPS IF MORE THAN FOUR ARE REQUIRED.

## INSTALLATION INSTRUCTIONS

1. REMOVE CONTROL PLATE FROM COVER.
2. LOOSEN GRIPS AND INSERT CORDS.
3. SET CORD LEVELS AND TIGHTEN GRIPS.
4. INSTALL FLOATS AND FASTEN TO POLE.
5. APPLY GASKET TO COVER OR PLATE
6. PLACE PLATE ON COVER AND TIGHTEN BOLTS.



DESCRIPTION: FLOAT CONTROL PLATE		
REFERENCE		
10097		
DRAWN BY: X.J.H	CHECKED BY:	SUPERSEDES PRINTS PRIOR TO 9-12-94
DATE 9-12-94	REV.: 0	NO: 6-280
SCALE: NONE	DISK:	