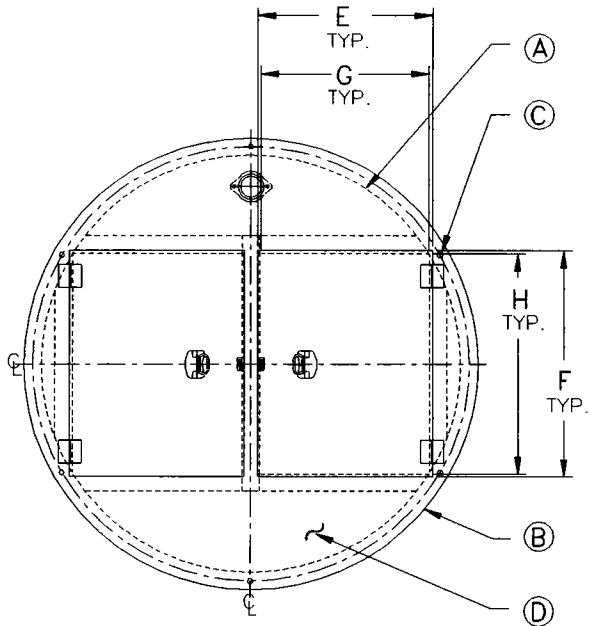
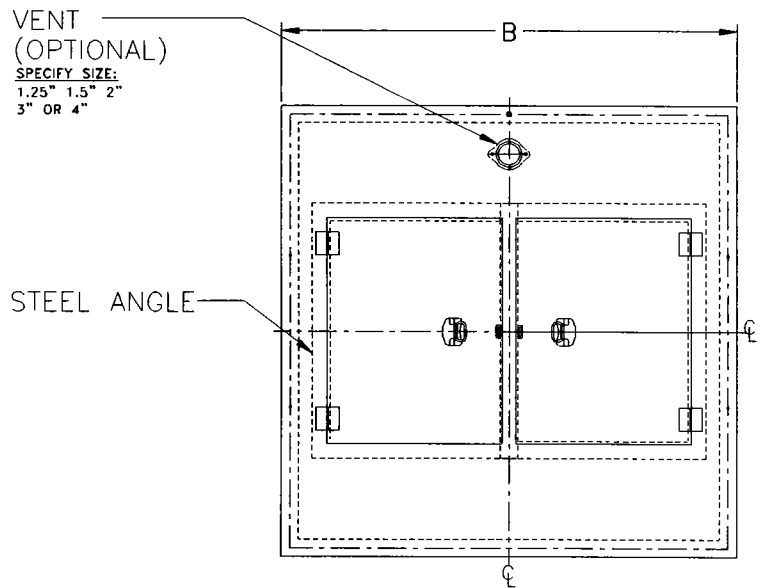


DOUBLE HATCH STEEL BASIN COVER

STAINLESS STEEL HARDWARE STANDARD
GASKET TAPE PROVIDED



ROUND COVER
HINGED AND LOCKABLE



SQUARE COVER
HINGED AND LOCKABLE

PART NO.	STYLE	Ⓐ BASIN INSIDE DIM.	Ⓑ OUTSIDE DIM.	Ⓒ BOLT CIRCLE	Ⓓ THICKNESS	Ⓔ HATCH DOOR WIDTH	Ⓕ HATCH DOOR LENGTH	Ⓖ CLEAR ACCESS WIDTH	Ⓗ CLEAR ACCESS LENGTH
C48HDS	ROUND SQUARE	48 48x48	54 54x54	51.0 51.0x51.0	.25 .25	18 20	25 29	17 19	24 28
C60HDS	ROUND SQUARE	60 60x60	66 66x66	63.0 63.0x63.0	.375 .375	21 25	31 37	20 24	30 36
C72HDS	ROUND SQUARE	72 72x72	78 78x78	75.0 75.0x75.0	.375 .375	25 31	41 49	24 30	40 48

ALL DIMENSIONS IN INCHES



DESCRIPTION: DOUBLE HATCH COVER		
REFERENCE		
		10088
DRAWN BY <i>x.j.h</i>	CHECKED BY	SUPERSEDES PRINTS PRIOR TO: 10/17/94
DATE 10/17/94	REV. 0	NO. 6-240
SCALE: NONE	DISK	