

CAST IRON PIPE FLANGES

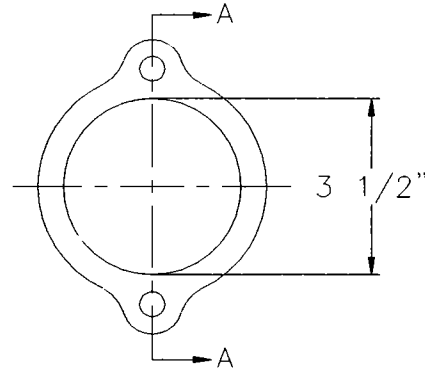
CAST IRON PIPE FLANGES ARE DESIGNED TO BE USED TO SEAL PIPING IN TOPP INDUSTRIES' STEEL COVERS. WHEN FLANGES ARE SPECIFIED TO SEAL VENT AND DISCHARGE PIPES THE PROPER HOLES AND TAPPINGS ARE PROVIDED IN THE COVER. 3/8"x2" STAINLESS STEEL BOLTS AND WASHERS ARE PROVIDED WITH EACH FLANGE KIT. RUBBER O-RINGS ARE PROVIDED WITH EACH SLIP FLANGE KIT.



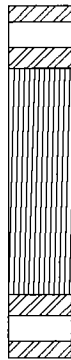
SECTION A-A
THREADED



SECTION A-A
SLIP



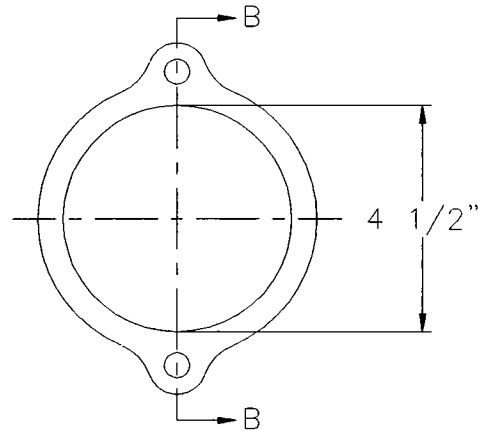
PART NO.
F300S- SLIP
F300T- THREADED



SECTION B-B
THREADED



SECTION B-B
SLIP



PART NO.
F400S- SLIP
F400T- THREADED

INSTALLATION INSTRUCTIONS:

1. CENTER O-RING UNDER FLANGE. (SLIP ONLY)
2. ATTACH THE BOLTS MAKING SURE NOT TO TIGHTEN THEM.
3. INTRODUCE PIPE TO FLANGE.
A. USE PIPE DOPE ON THREADED FLANGES.
B. LUBRICATE O-RING ON SLIP FLANGES.
4. FULLY TIGHTEN FLANGE WHEN PIPE IS SET.



DESCRIPTION CAST IRON PIPE FLANGES		
REFERENCE		
		10094
DRAWN BY: K.J.H.	CHECKED BY:	SUPERSEDES PRINTS PRIOR TO. 9-12-94
DATE: 9-12-94	REV: 0	NO.: 6-270
SCALE: NONE	DISK	